

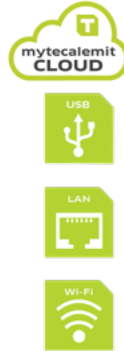
M1 PRO SYSTEM

DOUBLE-SIDED DISPENSER

TECALEMIT's M1 Pro System features a pedestal unit with two dispense points, the capability to dispense two mediums (DEF and/or Diesel) at once, and the resources to track and monitor every transaction.

An ideal equipment solution for commercial applications, the M1 Pro System includes TECALEMIT's line of Hornet W85 pumps for DEF and/or Diesel and has a built-in automated Fluid Inventory Management System, the Superbox.

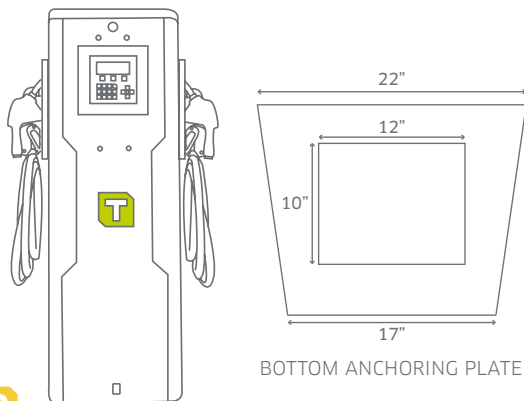
Track, monitor, and record transactions, vehicles, drivers, and more with the M1 Pro System. This turn-key package is the latest in TECALEMIT's line of professional dispensers with the innovation and reliability you've come to expect from TECALEMIT.



Key Fobs can be programmed for driver and vehicle. Key Fob reader makes programming easier and faster, at your computer.

TECHNICAL SPECIFICATIONS & FEATURES

Used with diesel fuel and Diesel Exhaust Fluid (DEF)	
Includes dual Hornet pumps (Diesel and DEF) (If equipped)	
Tracks 2000 drivers/2000 vehicles	
Management system back up: 10,000 transactions	
Secured groups include driver ID, vehicle ID, & odometer	
Transfer data via USB, LAN, WiFi, and cellular	
Flow rate (DEF):	10 gpm
Flow rate (diesel):	22 gpm
Inlet (DEF):	¾" FNTP
Inlet (diesel):	1¼" FNTP
Discharge hose (DEF):	¾"
Discharge hose (diesel):	1"
Power:	110/60 V/Hz
Amperage:	9.5 amps per pump max.
Dimensions (W x D x H):	19" x 17.5" x 56"



PART #	DESCRIPTION
M1 DISPENSER	M1 DISPENSER DUAL SIDED (USB)
US233400032	LAN UPGRADE
US233400035	WIFI UPGRADE
US233400036	MYTECALEMIT UPGRADE

M1 Pro System heated & insulated unit available.
M1 Pro System upgrade to 5 dispense points available.

CERTIFICATE

**CLICK HERE to
apply for online
Installer Training**